

GL GONIOPHOTOMETER

GLG A 50-1800

The GLG A 50-1800 is Type A goniometer system compliant with the CIE 121-1996 and IESNA LM-75-01 standards regulating far-field photometric and colorimetric measurement systems. It is designed for the testing of light sources specific to automotive, railway or similar industries basing on regulations specified by UN/ECE and U.S. Department of Transportation.

This goniophotometer system can handle samples of up to 50 kg weight and 1800 mm width. Robust construction, high precision gear and wide sample alignment adjustability allow for fast and trouble free adaptation for variety of uses.



Features:

- Far Field Type A goniometer
- H, V axis and X, Y, Z direction movement with servo motors
- Angular resolution of 0.002°
- Universal mounting stage size with position adjustability in three axis.
- 10 inch LCD touch screen and digital manipulator
- Compatible to work with photometer, spectroradiometer, colorimeter and retroreflectometer
- Reduced weight for easier transport and installation
- Designed for safety and convenience of operation

GL OPTIC Polska Sp. z o.o. Sp.k

ul. Poznańska 70, 62-040 Puszczykowo, Poland
Phone: +48 61 819 40 03 | E-mail: office@gloptic.com
www.gloptic.com



Light quality control

GL GONIOPHOTOMETER

GLG A 50-1800

APPLICATION

Conformance testing of lamps and signals to UN/ECE and SAE /FMVSS Regulations. These are type A systems compliant with the CIE 121-1996 and IESNA LM-75-01 standards for far-field photometric and colorimetric measurement systems.

TECHNICAL DATA SHEET

CIE Goniometer type	<ul style="list-style-type: none">Far Field Type A with H, V axis and x,y,z direction movementDUT moving x,y mechanical table5 axis servo motors with absolute position encoders
H axis movement	Angular range $\pm 180^\circ$. Nominal torque 98 Nm. Speed up to 50°/s
H axis resolution	0.002°
H axis reproducibility	0.05° * (*at nominal load)
V axis movement	Angular range $\pm 100^\circ$. Nominal torque 555 Nm. Speed up to 10°/s
V axis resolution	0.002°
V axis reproducibility	0.05° * (*at nominal load)
Z axis movement	Linear range 0-600 mm. Lifting capability up to 1500 N
Z axis reproducibility	70 μ m
X axis movement	Linear range ± 300 mm. Speed up to 40 mm/s
Y axis movement	Linear range ± 150 mm. Speed up to 40 mm/s
X,Y axis reproducibility	70 μ m
DUT mounting plate	Square 500x500 mm. T-slot array 5x5 in the Bosch Rexroth system
Maximum DUT dimensions	≤ 1800 mm (symmetrically positioned)
Goniometer dimensions	2120(L) x 1780(H) x 800(W) mm
Optical axis height	1500 mm
Minimum room height	2600 mm
Minimum room width	4000 mm
Maximum load	50 kg
Goniometer weight	600 kg
Power supply	AC 3-phase 110-230V, 3000 W
Controllers	<ul style="list-style-type: none">Internal controller for all motorsPC connectivity through LAN networkRemote manufacturer support capability10 inch LCD touch display on the external control panelManual all axis controller for operations during DUT fixing
Safety	<ul style="list-style-type: none">External control panel with emergency stop buttonLaser scanner
Sensor type	<ul style="list-style-type: none">GL Photometer 3.0 LS + FlickerGL SPECTIS 1.0 LSGL SPECTIS 4.0
Product no.	106260

Note: Instrument, firmware and software specification are subject to change without prior notice. All information included in GL OPTIC datasheets and product information available in any form are carefully prepared and included information believed to be true. Please note that discrepancies may occur due to text and/or other errors or changes in the available technology. We advise to contact GL Optic before the use of the product to obtain the latest product specification.

GL OPTIC Polska Sp. z o.o. Sp.k

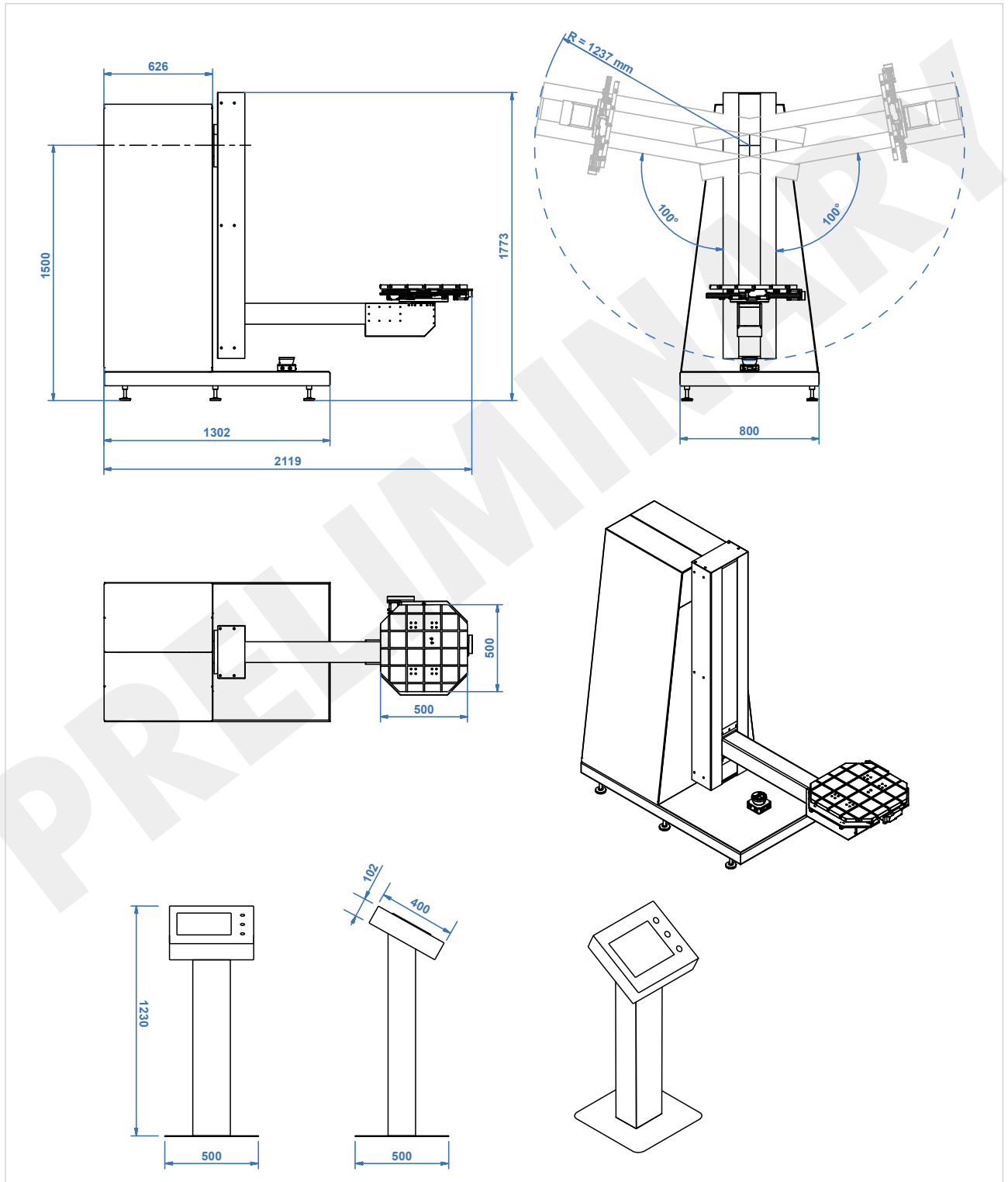
ul. Poznańska 70, 62-040 Puszczykowo, Poland
Phone: +48 61 819 40 03 | E-mail: office@gloptic.com
www.gloptic.com



Light quality control

GL GONIOPHOTOMETER

GLG A 50-1800



GL OPTIC Polska Sp. z o.o. Sp.k

ul. Poznańska 70, 62-040 Puszczykowo, Poland
Phone: +48 61 819 40 03 | E-mail: office@gloptic.com
www.gloptic.com



Light quality control