

GL OPTICAM 1.0

Imaging Luminance Meter Device (ILMD) dedicated for light sources of various size as LCD screens or backlighted electronic modules. System is based on high resolution monochromatic CMOS sensor with $V(\lambda)$ filter. Standard option is equipped with 50 mm focal length lens while others are available on request. Dedicated software contains multiple universal analysis tools as: marking spots of interest, representation of levels in false-color scale, statistical parameters, histograms, linear cross-sections, 3D luminance imaging.

Features:

- Spectral response of class A
- Wide dynamic range
- Powered and controlled via USB connection
- User-friendly analysis software



APPLICATION

Light sources, displays, luminous and illuminated surfaces

MEASUREMENTS

Imaging resolution	1920 x 1200 (Full HD, 2.3 MPix)
A/D conversion	12 bit
Measurement range	0.01 cd/m ² ... 200 kcd/m ² (ND filter for higher range available on request) (range depends on lens aperture)
Resolution	0.01 cd/m ²
Dynamic range	1:20000000
Focus distance	440 mm to infinity (depends on lens type)
Minimum working area	100 mm x 63 mm (at 440 mm distance) (will vary depending on lens type)
Uncertainty of spectral response	Class A (f1') < 3 %
Integration time	50 μs ... 30 s

PROPERTIES

Measuring sensor type	CMOS monochromatic matrix with a spectral response $V(\lambda)$ filter
Optical system	50 mm F/2.8 lens (different available on request)
Dimensions [H x W x D]	60 mm x 111 mm x 58 mm
Weight	570 g
PC Connectivity	USB 3.0
Power source	Powered by USB connection
Tripod adapter	BSW 1/4"

ORDERING INFORMATION

Case	✓
USB cable	✓
Part number	201952

Note: Instrument, firmware and software specification are subject to change without prior notice. All information included in GL OPTIC datasheets and product information available in any form are carefully prepared and included information believed to be true. Please note that discrepancies may occur due to text and/or other errors or changes in the available technology. We advise to contact GL Optic before the use of the product to obtain the latest product specification.

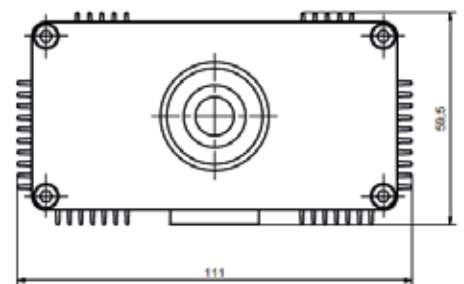
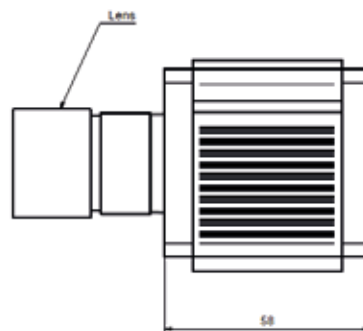
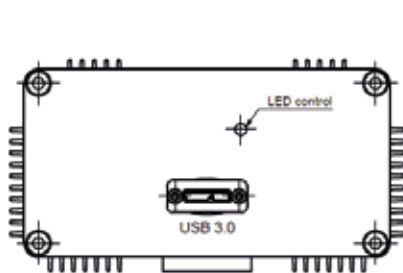
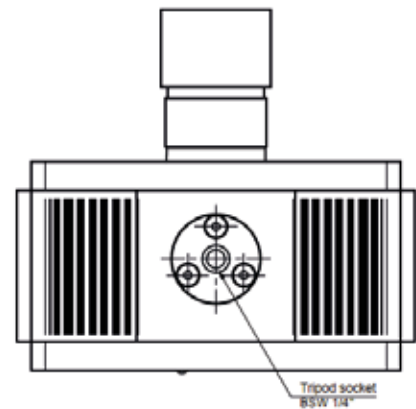
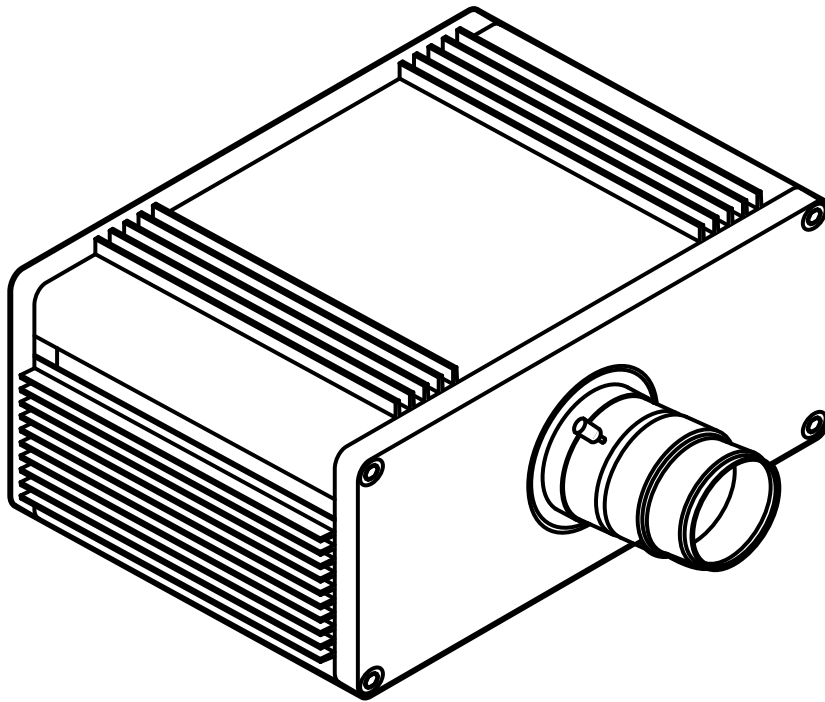
GL OPTIC POLSKA Sp. z o.o.

ul. Poznańska 70, 62-040 Puszczykowo, Poland
Phone: +48 61 819 40 03 | E-mail: office@gloptic.com
www.gloptic.com



Light quality control

GL OPTICAM 1.0



GL OPTIC POLSKA Sp. z o.o.

ul. Poznańska 70, 62-040 Puszczykowo, Poland
Phone: +48 61 819 40 03 | E-mail: office@gloptic.com
www.gloptic.com

GL OPTIC

Light quality control