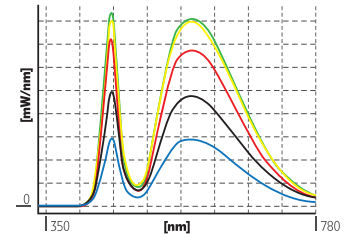
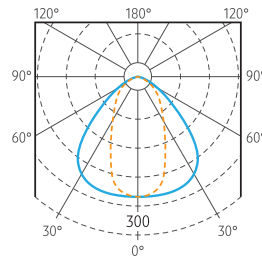


Measure your lamps. Follow the standard.

GL GONIO SPECTROMETER



Introducing a new model of GL GONIO SPECTROMETER

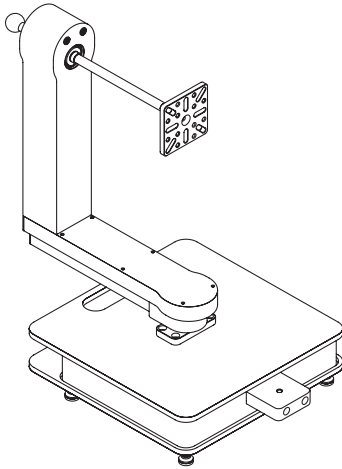
Features of entry level goniometers for LED light testing:

- Light Intensity Distribution measurement
- Angular color uniformity testing
- CCT, Duv, CRI, x,y and much more
- Photometric data in LTD and IES files



GL Optic products are made in Europe, sold and serviced on all continents.

We are a German Limited Company, which offers precise light measuring instruments and complex solutions for spectral light measurement systems. In our product line you will find intelligently designed, intuitive and accurate goniometers and other measuring systems such as: spectrometers, integrating spheres, goniometers, programmable sources of LED light and analytical software.

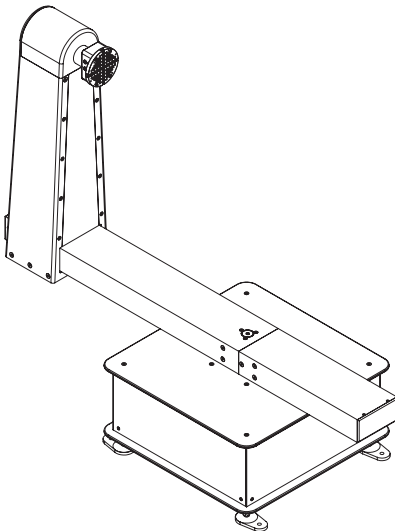


GL GONIO SPECTROMETER GLG-4-500

GLG-4-500 a table top model specifically designed for LED modules and component testing can also be used for smaller lamp measurements. This automatic system connected to a PC holds devices up to 4kg and 500mm diameter. Angular resolution of 0.1° and C-plane and λ angle +/- 180° make this instrument a universal solution for different applications.

TECHNICAL DATA SHEET

CIE Goniometer type	<ul style="list-style-type: none"> • Far Field Type C with horizontal optical axis • DUT moving • 2 axis stepper motors • Belt drive system
Angular range C axis	± 180°
Angular range γ axis	± 180° theoretical (usable depending on geometry due to shadowing)
Angular positioning precision	0.1°
Maximum DUT dimension	≤ 500 mm (diameter or diagonal)
Maximum load	4 kg

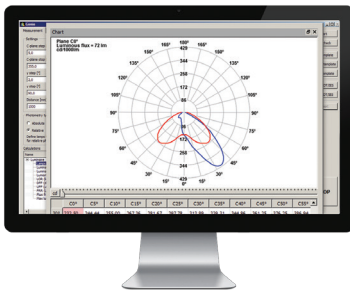


GL GONIO SPECTROMETER GLG-30-1800

GLG-30-1800 is a goniometer system designed for the testing of large lamps and luminaires. Max load of over 30kg and 1800mm diameter will cover most of the demand for testing. Additionally the usable depth along horizontal axis up to 800mm will help to test very long high bay lamps with extended radiators. This is also an ideal solution for long tubular architectural luminaires.

TECHNICAL DATA SHEET

CIE Goniometer type	<ul style="list-style-type: none"> • Far filed Type C with horizontal optical axis • DUT moving • 3 axis stepper motors • Worm drive gear
Angular range C axis	± 180°
Angular range γ axis	± 180° theoretical (usable depending on geometry due to shadowing)
Angular positioning precision	0.1°
Maximum DUT dimension	≤ 1800 mm (diameter or diagonal)
Maximum load	30 kg



GONIOSPECTROMETER SOFTWARE

GL SPECTROSOFT GONIO Add-ON allows the user to make goniometric measurements of light sources or luminaires in absolute or relative photometry using GL Optic goniometers with optional automatic use of power supplies or/and power meters.

All photometric calculations and light distribution data may be saved in the most popular and widely used EULUMDAT (LDT) or IES file formats.

CONTACT US:

GERMANY

GL OPTIC LICHTMESSTECHNIK GMBH
Tobelwasenweg 24
73235 Weilheim / Teck
Germany
Phone: +49 7023 9504 0
Fax: +49 7023 9504 837
E-Mail: office@gloptic.com

FRANCE

JUST NORMLICHT FRANCE SÀRL
3, Rue Louis Pasteur
67240 Bischwiller
France
Phone: +33 (0) 3 8806 2822
Fax: +33 (0) 3 8806 2823
E-mail: info@just-normlicht.fr

USA

JUST NORMLICHT INC.
2000 Cabot Blvd. West Suite 120
Langhorne, PA 19047-2408
United States
Phone: +1 267 852-2200
Fax: +1 267 852-2207
E-mail: sales@justnormlicht.com

POLAND

GL OPTIC Polska Sp. z o.o. Sp.k
ul. Poznańska 70
62-040 Puszczkowsko
Poland
Phone: +48 61 819 40 03
E-mail: office@gloptic.com