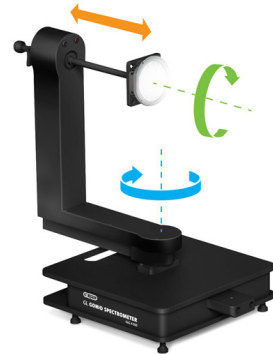


## GL GONIO SPECTROMETER 4-500

GLG-4-500 a table top model specifically designed for LED modules and component testing can also be used for smaller lamp measurements. This automatic system connected to a PC holds devices up to 4kg and 500mm diameter. Angular resolution of 0.1° and C-plane and  $\lambda$  angle +/- 180° make this instrument a universal solution for different applications.



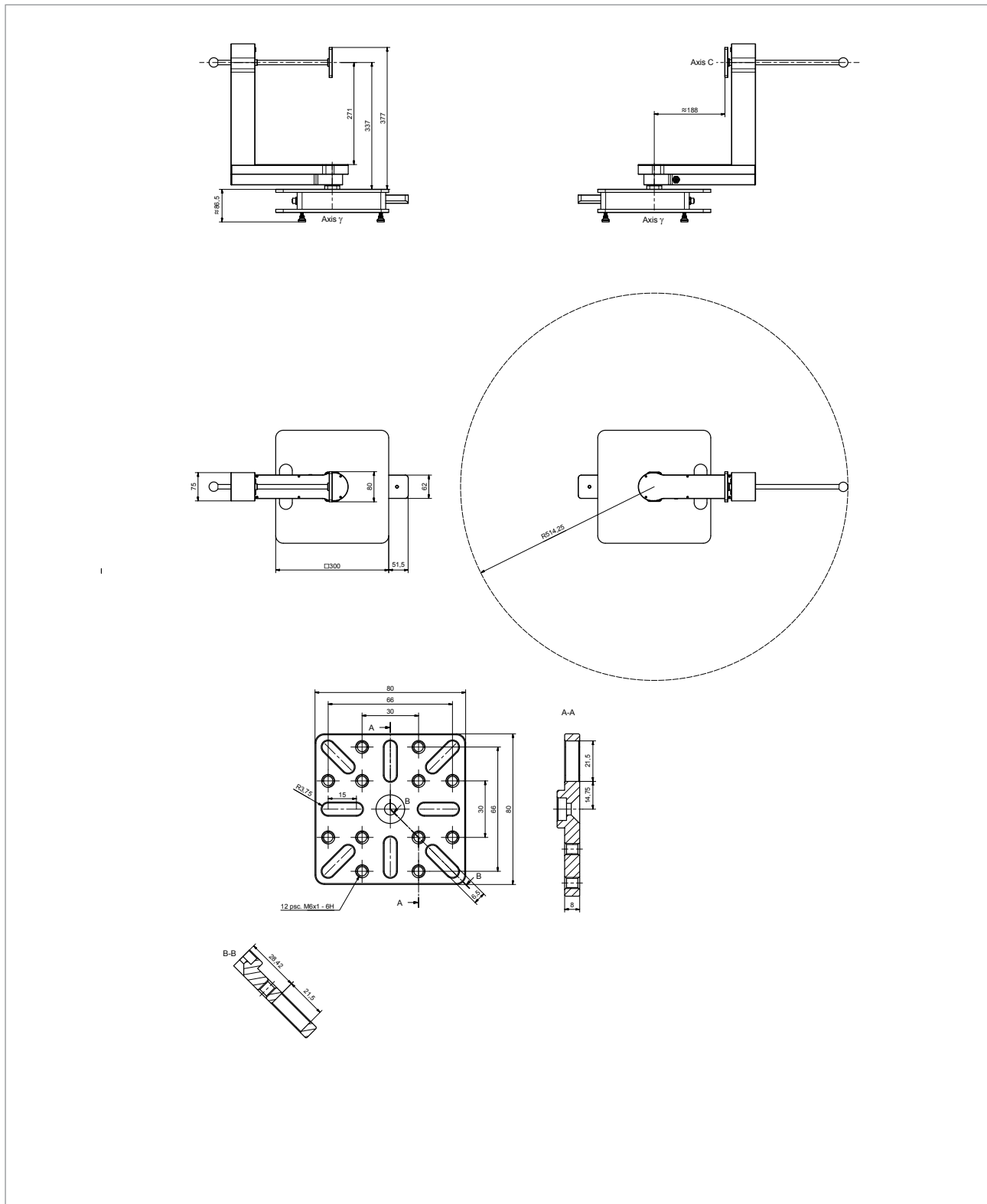
### Features:

- Far Field Type C with the horizontal axis
- 2 axis stepper motors
- Angular resolution of 0.1°
- perfect for small and compact LED and halogen luminaires

APPLICATION	
Application	Single LED, LED modules, compact LED and halogen luminaires Compliance with the following: CIE121-1996, IESNA LM-79-08, CIE S 025/E:2015
TECHNICAL DATA SHEET	
CIE Goniometer type	Far Field Type C with horizontal optical axis – DUT moving – 2 axis stepper motors – Belt drive system
Angular range C axis	± 180°
Angular range $\gamma$ axis	± 180° theoretical (usable depending on geometry due to shadowing)
Angular positioning precision	0.1°
Reproducibility C axis	0.1°
Reproducibility $\gamma$ axis	0.1°
Angular speed C axis	up to 45°/s
Angular speed $\gamma$ axis	up to 45°/s
DUT photometric center positioning	0 to 180 mm; via hand crank
Photometric distance	2.5 – 7.5 m Distance $\geq$ largest DUT dimension x (5-15); (CIE S 025/E:2015)
DUT mounting plate (bread board)	Square 80 x 80 mm Fixing: multiple M6 mounting holes
Maximum DUT dimensions	$\leq$ 500 mm (diameter or diagonal)
Goniometer dimensions	530 x 300 x 470 mm (W x H x D)
Maximum operating footprint diameter	1100 mm (when vertical axis is fully extended)
Maximum load	4 kg
Goniometer weight	8 kg
Power supply and max. Consumption	PC connection by USB A-B 110–230 V 40W
Sensor type	GL OPTIC Spectrometer range: – GL Spectis 1.0 – GL Spectis 1.0 Touch – GL Spectis 1.0 Touch + Flicker – GL Spectis 5.0 Touch

# Technical Sheet

## GL GONIO SPECTROMETER 4-500



**Note:** Instrument, firmware and software specification are subject to change without prior notice. All information included in GL OPTIC datasheets and product information available in any form are carefully prepared and included information believed to be true. Please note that discrepancies may occur due to text and/or other errors or changes in the available technology. We advise to contact GL Optic before the use of the product to obtain the latest product specification.

GL Optic Lichtmesstechnik GmbH | Tobelwasenweg 24 | 73235 Weilheim/Teck | GERMANY | Tel.: +49 (0)7023 9504-20 | Fax: +49 (0)7023 9504-830 | office@gloptic.com | www.gloptic.com  
 Geschäftsführer: Michael Gall | Sitz der Gesellschaft: Weilheim/Teck | Amtsgericht Stuttgart HRB746271 | USt-IdNr.: DE 292228248 | Steuer-Nr.: 69068/56239